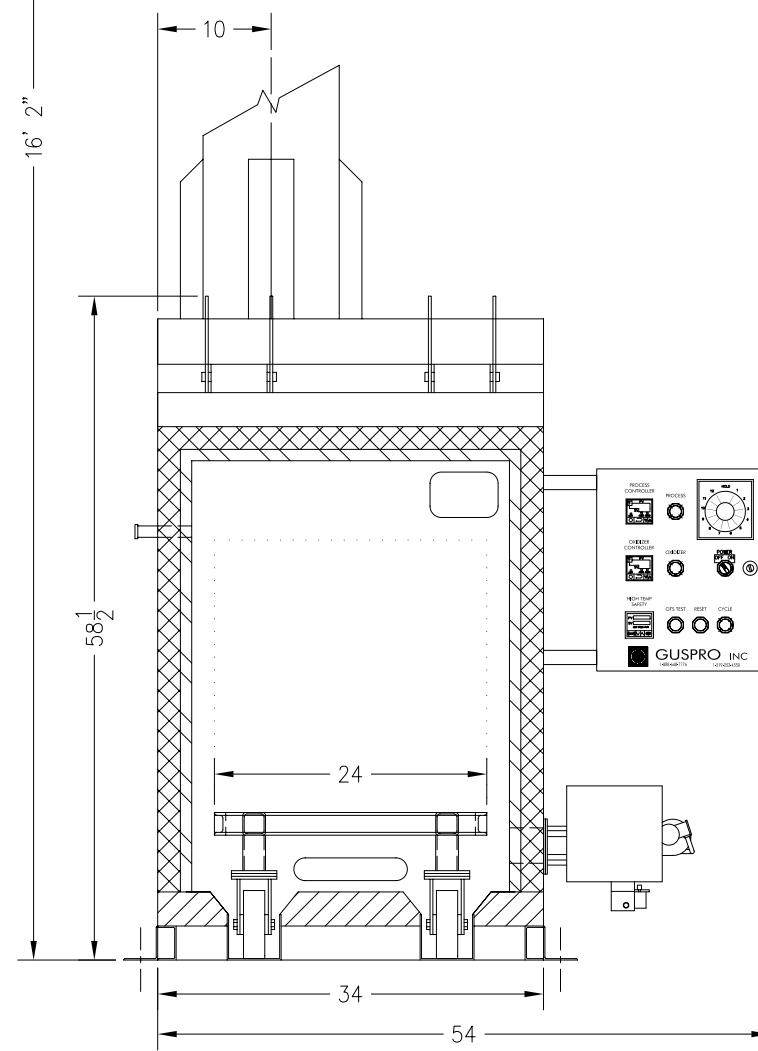


- REFRACTORY
- 2500° CAST
  - 2300° CAST
  - 2300° BOARD
  - 1200° BLOCK

REQUIREMENTS

- W** - 0.25 GPM AT 35 - 45 PSI
- G** - 400 CFH AT 7" WC NATURAL GAS
- E** - 120V 15A 60HZ 1PH SUPPLY



THIS CONCEPTUAL DRAWING IS PROVIDED TO ILLUSTRATE BASIC DESIGN AND APPROXIMATE OVER ALL DIMENSIONS.

THIS DRAWING IS PROPRIETARY INTELLECTUAL PROPERTY OF GUSPRO INC. AND IS NOT TO BE REPRODUCED OR DISTRIBUTED IN ANY MANNER WITHOUT THE EXPRESSED WRITTEN PERMISSION OF GUSPRO INC.

	OVEN NO.	DATE
	GO-242424	25/JAN/96
CUSTOMER'S NAME		
CUSTOMER'S ADDRESS		
DRAWN BY	APPROVED BY	REVISION DATE
J.M.S.	R.W.E.	4/SEPT/03

**GUSPRO**  
INCORPORATED