



GUSPRO
Since 1932

**BUILT
TO
LAST**



HEAT CLEANING SOLUTIONS FOR:

- Painting and coating industry
- Automotive engine and part rebuilding
- Polymer and plastics industry
- Electric motor rewind industry

www.guspro.com

PREMIUM DESIGN

FEATURE:

BENEFIT:

* Refractory firebox under load cart

* No parts contact heat source – heat is transferred uniformly

* Microprocessor-controlled pyrometers

* Cleaning temperature is reached faster-with no hot spots (results in less energy spent)

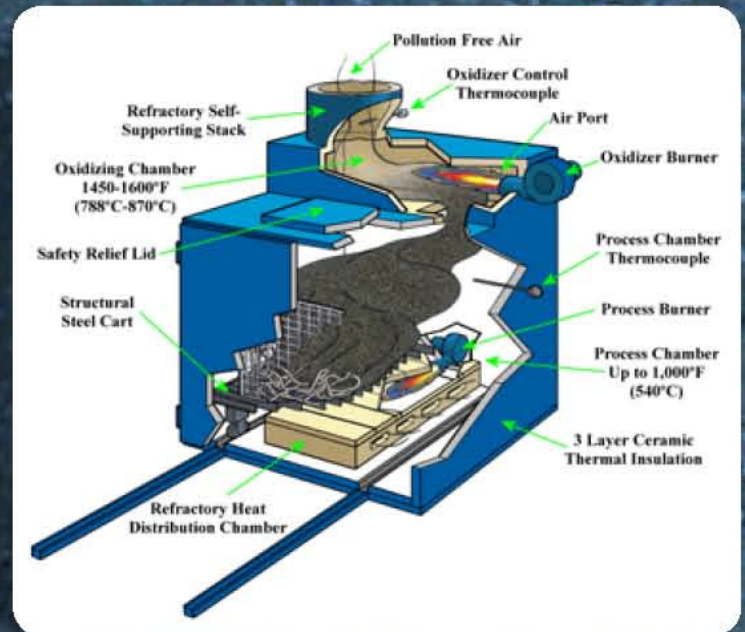
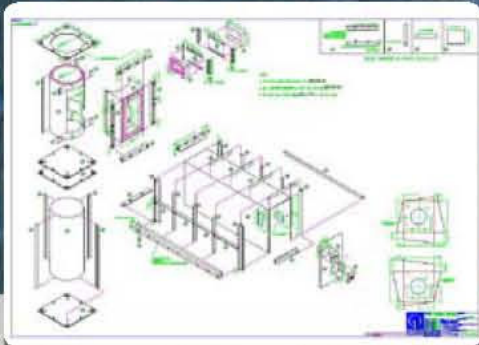
* Excess temperature safeguards – protect against warpage/distortion

* Dry-heat cleaning

* Temperatures are consistently monitored and activate water mist nozzles if necessary

* Eliminates scraping, grinding and chemicals associated with other methods

* Meets or exceeds environmental standards with no dangerous waste to dispose of



SUPERIOR PROCESS

FEATURE:

BENEFIT:

* Combined firebox and after-burner offers greatest BTU'S available on the market

* Coatings are reduced to dry dust and toxic fumes are converted to clean environmentally safe odourless gas

* Greatest oxidizer capacity on the market

* Best lbs/hour rating in the business permits larger loads and shorter cycles

* Precision timing/unattended operation/automatic switch-off

* Customized cycle and no operator required to wait for chemicals to react

CUSTOM BUILT

AVAILABLE FEATURES

- * Standard Controller
- * Programmable Controller
- * One/Two pen chart recorder
- * Digital Recorder
- * 14-gauge Stainless Steel Liner
- * Acid-Resistant Refractory & firebox
- * Customized or Heavy Duty Carts
- * Self-Monitoring load feature
- * Core Temperature Recorders
- * Delay Timers-Blower
- * Positive (Safety) Door Lock
- * Explosion-proof lid
- * Notification Alarms
- * "Legs" for optional application height
- * "Armature" Ovens
- * Custom-Designed tracks
- * Automated (Power) Doors
- * Through-wall and outdoor installations
- * Natural gas, propane, or oil fired burners
- * Breech / off-set stacking available
- * Electrically operated power carts



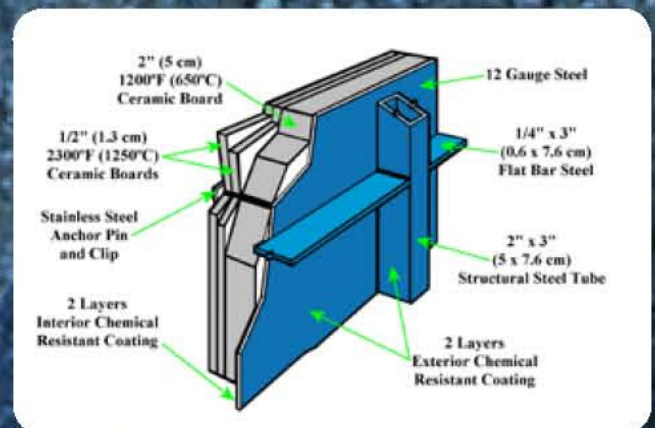
BUILT TO LAST

Standard Features – Ovens

- 1- 12-gauge hot rolled steel- treated with chemically resistant MASTIC coating
- 2- Refractory Chamber can withstand 2500°F (1370°C)
- 3- Thermal ceramic wall insulation can withstand 2300°F (1250°C). Outside of ovens are COOL TO THE TOUCH

Standard Features – Stacks

- 1- Refractory lined to withstand 2000° F (1100° C)
- 2- Full height and self-supporting designed to function WITHOUT a rain cap
- 3- Natural draft stack draws at a consistent negative pressure – ensuring optimal temperature control



SAMPLE PROCESSING

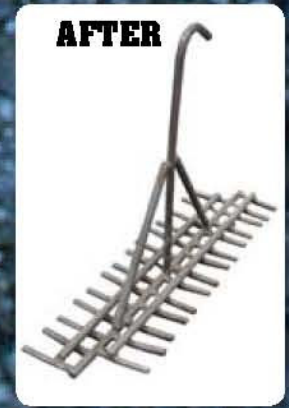
- * Contact Guspro for a no-charge cleaning evaluation
- * Free sample processing may be available
- * Contact Guspro for details

WARRANTY

- * Guspro GO Ovens are guaranteed against defects in materials and workmanship, when installed and operated in accordance with instructions, for twelve (12) months from date of shipment
- * Guspro offers unparalleled field service and technical support long after the sale

GUSPRO = GLOBAL

- * Guspro ovens have been exported to over 5 continents
- * Guspro can meet or exceed the most stringent North American & European standards



BAYCO[®]

- * Repair & Service parts available for Bayco Ovens
- * Upgrade kits for Bayco ovens to improve performance and efficiency
- * Field service available for all Bayco ovens. Contact Guspro for details



280 Grand Avenue East
Chatham, Ontario
Canada N7L 4K1

Tel: (519) 352-4550 Fax: (519) 352-7676

Toll Free: 1-888-648-7776 • Toll Free Fax: 1-800-667-8742

guspro@guspro.com

www.guspro.com